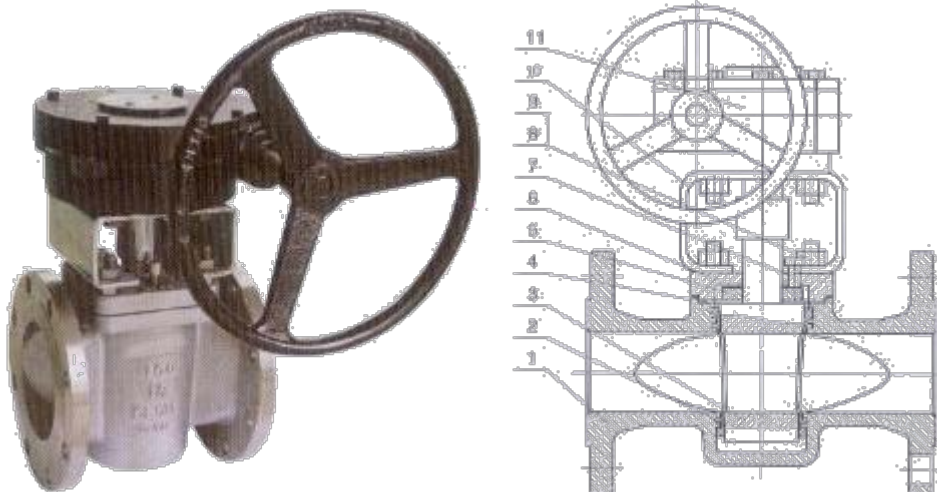




Brief instruction:

DIN Plug Valve is applicable to the cutting and connection of pipelines medium that are used in various industries such as petroleum, chemical industry, pharmacy, chemical fertilizer, power industry etc under nominal pressure of PN1.6~16Mpa, and working temperature of -29~180°C.

Main parts & materials:



PRODUCT - PLUG VALVE

DIN PLUG VALVE

No.	Part name	material
1	Body	GS-C25
		1.7363
		1.4308,1.4408,1.4306,1.4301
2	Sleeve	PTFE
3	Plug	ASTM A182-Gr,F6a,ASTM A182-F22
		ASTM A182-F304,F316,F321,F304L,F316L
4	Gasket	Flexible graphite + stainless steel, PTFE
5	Adjusting gasket	ASTM A182-Gr,F6a,ASTM A182-F22
		ASTM A182-F304,F316,F321,F304L,F316L
6	Cover	GS-C25
		1.7363
		1.4308,1.4408,1.4306,1.4301
7	Adjusting bolt	ASTM A193-B7, A320-B8, A193-B8M
8	Net	ASTM A194-2H, A194-8, A194-8M
9	Bolt	ASTM A193-B7, A320-B8, A193-B8M
10	Yoke	Q235,WCB
11	Worm	

Feature:

The product has reasonable structure, reliable sealing, excellent performance and beautiful appearance. Its sealing is realized by the sealing face around the sleeve. It has unique 360 degree metal edge for protection and fixing of the clipping cover.

There is no cavity in the valve for accumulation of medium.

Metal edge provides the function of self-cleaning when the plug is rotated, applicable to the operation condition that is glutinous and apt to smudge.

Its characteristic double-direction flow makes installation and sue more convenient.

6. The materials of the parts and sizes of flanges can be reasonably configured according the actual operation condition of the requirements of the customers, so as to meet the various needs of engineering.

PRODUCT - PLUG VALVE

DIN PLUG VALVE

Executive standard

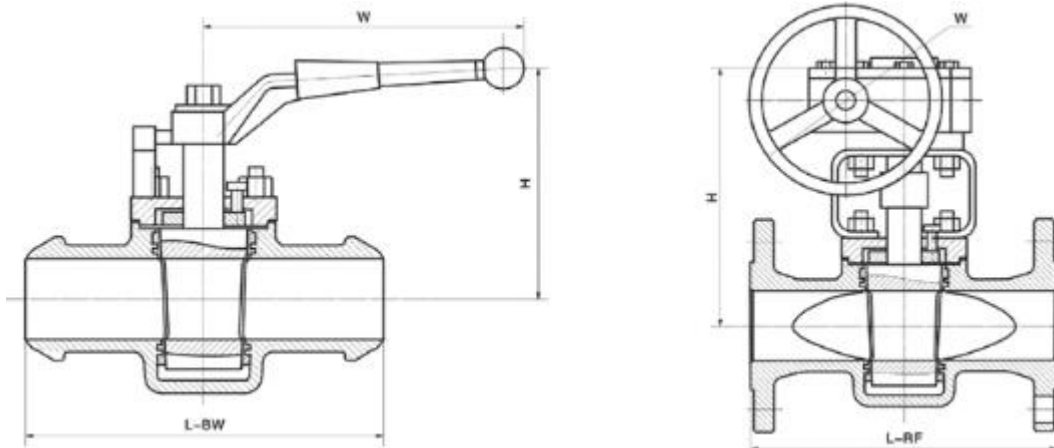
Structural formation	BC
Driving manner	Wrench wheel, worm & worm gear, pneumatic, electric-actuated
Design standard	API599, API6D
Face to face	DIN 3202F!
Flange end	DIN 2543-2549
Test & inspection	DIN 3230

The size of serial valve connecting flange can be designed according to customers' requirement.

Main technical data.

Nominal pressure(MPa)	Shell test(MPa)	Sealing test(MPa)	Suitable temp	Suitable medium
1.6	2.4	1.76	-29~180 °C	Water, oil & gas
2.5	3.75	2.75		
4.0	6.0	4.40		
6.4	9.6	7.04		
10.0	15.0	11.0		
16.0	24.0	17.6		

Main external and connection dimension





Office Address
 SAIF ZONE | PO Box 8047
 Sharjah, UAE.
 Skype: Unitech Trading (unitechtrading)
 Tel / Fax 00971-6-544-8882
 Email <mailto:info@unitechtrading.com>

PRODUCT - PLUG VALVE

DIN PLUG VALVE

KQDX43- 16																
pressure		PN16														
mm	15	20	25	32	40	50	65	80	100	125	150	200	250	300	350	
L		130	150	160	180	200	230	290	310	350	400	480	600	730	850	980
H		150	155	160	180	190	200	220	230	380	460	520	580	620	680	740
W		300	300	300	350	400	500	500	550	300	300	320	320	350	380	380
Weight		9	10	11	13	14	19	23	27	43	62	75	155	222	390	580
KQDX43-25																
pressure		PN25														
mm	15	20	25	32	40	50	65	80	100	125	150	200	250	300	350	
L		130	150	160	180	200	230	290	310	350	400	480	600	730	850	980
H		150	155	160	180	190	200	220	230	380	460	520	580	620	680	740
W		300	300	300	350	400	500	500	550	300	300	320	320	350	380	380
Weight		10	11	13	15	17	22	31	55	77	88	190	190	235	399	630
KQDX43-40																
pressure		PN40														
mm	15	20	25	32	40	50	65	80	100	125	150	200	250	300	350	
L		130	150	160	180	200	230	290	310	350	400	480	600	730	850	980
H		190	195	225	260	280	310	340	395	435	470	535	590	630	680	720
W		120	140	140	180	200	220	260	280	300	340	400	450	450	500	500
Weight		12	14	18	21	24	29	33	39	75	103	146	251	337	521	720
KQDX43-64																
pressure		PN64														
mm	15	20	25	32	40	50	65	80	100	125	150	200	250	300	350	
L		130	150	160	180	200	230	290	310	350	400	480	600	730	850	980
H		190	195	225	260	280	310	340	395	435	470	535	590	630	680	720
W		120	140	140	180	200	220	260	280	300	340	400	450	450	500	500
Weight		14	17	22	25	29	34	43	50	94	123	170	291	430	625	875
note: 100mm or above with worm gear																